

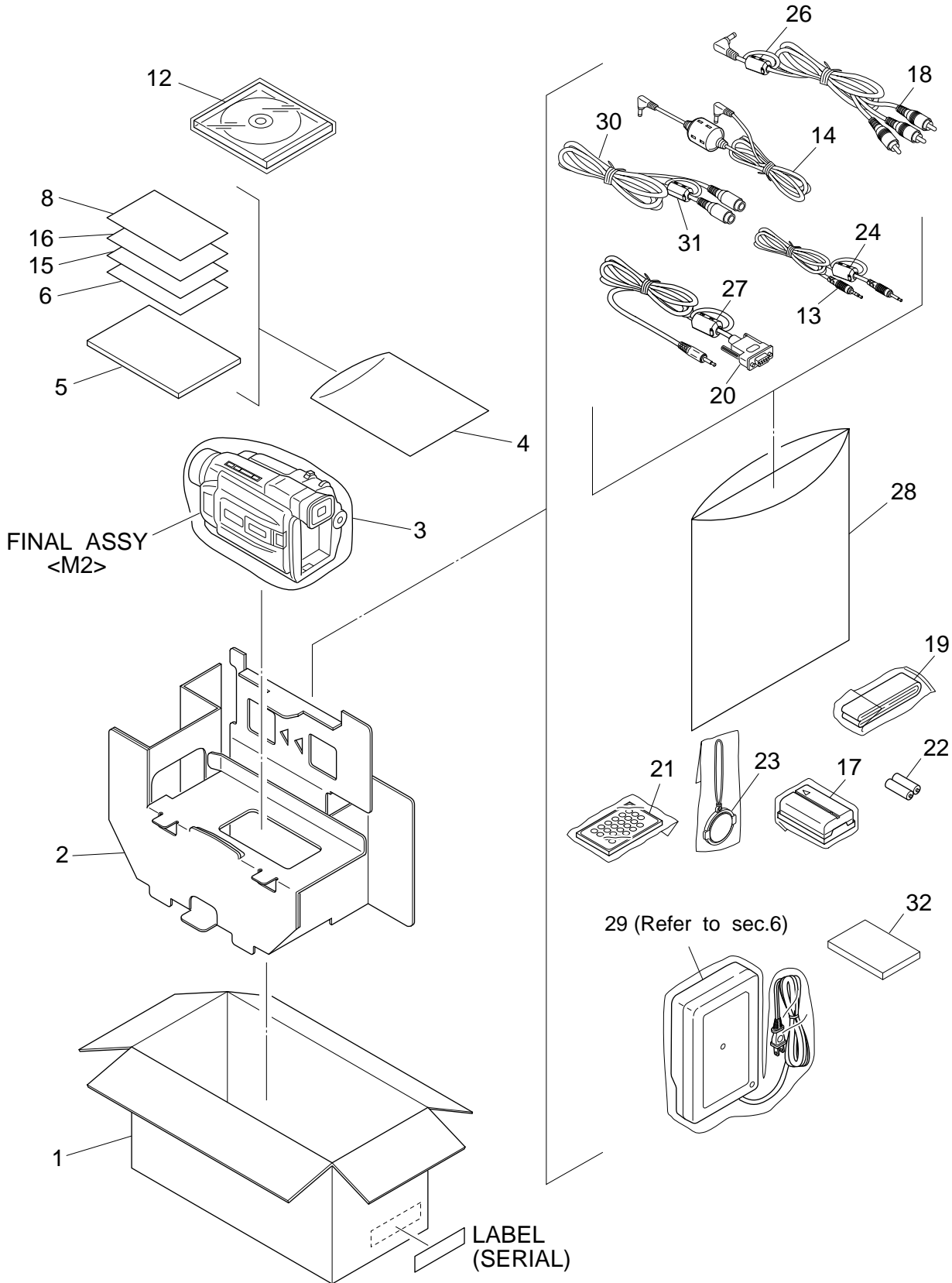
SECTION 5 PARTS LIST

SAFETY PRECAUTION

Parts identified by the \triangle symbol are critical for safety. Replace only with specified part numbers.

5.1 PACKING AND ACCESSORY ASSEMBLY <M1>

The instruction manual to be provided with this product will differ according to the destination.



#	△ REF No.	PART No.	PART NAME, DESCRIPTION

PACKING AND ACCESSORY ASSEMBLY <M1>

1		-	PACKING CASE
2		-	CUSHION
3		LY30023-008A	POLY BAG
4		QPA02003006	POLY BAG
△ 5		LYT0622-001A	IB(SP)
△ 6		LYT0576-001A	IB(SOFT.SETUP)
8		LYT0378-003A	SHEET(AGREMENT)
12		LY31133-011A	CD ROM ASSY
13		QAM0214-001	RM CABLE,EDITING CABLE
14		QAM0170-001	DC CORD
△ 15		LYT0576-010A	IB(CAPTURE.SP)
△ 16		LYT0576-011A	IB(PICNAVI.SP)
△ 17		LY31587-001A	BATTERY PACK, BN-V408U
18		QAM0211-001	CABLE ASSY,AUDIO/VIDEO CABLE
19		LY20186-001A	SHOULDER STRAP
20		QAM0084-001	PC CONNECTION CABLE
21		LY20543-002A	REMOTE CONTROL UNIT
22		-	BATTERY,AAA(R03),X2
23		LY42182-001A	LENS CAP
24		QQR0491-002	CORE FILTER
26		QQR0918-002	CORE FILTER
27		QQR0491-002	CORE FILTER
28		QPGA017-03005	POLY BAG
△ 29		LY20591-011A	AC POWER ADAPTER CHARGER,AA-V40EN
30		QAM0004-003	S CABLE, S-VIDEO CABLE
31		QQR0491-002	CORE FILTER
32		-	MINI DV TAPE, M-DV30MEBU

#	△ REF No.	PART No.	PART NAME, DESCRIPTION

FINAL ASSEMBLY <M2>			
△	101	LY20560-001D	LOWER CASE ASSY
	101A	LY31607-001A	JACK COVER
	101B	LY42391-001A	SHEET(MIC)2
	101C	LY40592-001A	CAP(GRIP BELT)
	101D	LY30029-052A	SPACER(A)
	102	LY20575-001B	GRIP BELT
	103	LY30018-003A	SPECIAL SCREW
	104	LY31609-001C	CASS.COVER ASSY
	104A	LY31610-001A	KNOB(EJECT)
	104B	LY31611-001A	COVER(C.C)
	104C	LY42173-001B	BKT(E.KNOB)
	104D	LY42174-001A	LOCK ASSY
	104D1	LY30002-038A	COMPRES. SPRING
	104E	LY30018-084A	SPECIAL SCREW
	104F	LY30018-023A	SPECIAL SCREW,X6
	105	LY42177-001B	SHEET(M.ADJ)
	106	LY20542-001A	ZOOM UNIT
	107	LY30018-084A	SPECIAL SCREW,X3
	108	LY31596-001A	REAR COVER ASSY
	108A	LY42161-001A	SHEET(REAR)
	108B	LY31595-001A	KNOB(RELEASE)
	108C	LY30001-018A	TENSION SPRING
	109	LY41691-001A	COVER(JIG)
	110	LY30018-084A	SPECIAL SCREW,X3
	111	LY20550-002C	UPPER CASE(3)ASSY
	111B	LY31623-001A	BRACKET
	111C	LY40664-002A	SPACER,X2
	111D	LY31019-001A	BASE
	111E	LY42244-001A	SHEET(MARK)
	111H	LY30018-084A	SPECIAL SCREW,X2
	111J	LY30018-0A8A	SPECIAL SCREW,X4
	112	QAS0048-001	SPEAKER
	113	LY42167-001A	PLATE(SPK)
	114	LY42168-001A	KNOB(SLIDE)
	115	LY30018-023A	SPECIAL SCREW
	116	LY30018-0A5A	SPECIAL SCREW
	117	LY30018-0A8A	SPECIAL SCREW,X2
	118	LY30018-090A	SPECIAL SCREW,X2
	119	LY30018-038A	SPECIAL SCREW
	120	LY30018-084A	SPECIAL SCREW,X2
	121	LY20563-001B	FRONT COVER ASSY
	121A	LY31615-001B	HOOD
	121B	LY31616-001A	RING
	121C	LY20572-001A	HOLDER(L.CONT.)
	121D	LY40987-003B	MARK
	121E	YQ43810-1-1	CONTACT(LIGHT),X2
	121F	WJM0003-006A	E-SI C WIRE C-F
	121G	YQ44434	BRACKET
	121H	LY30018-0A7A	SPECIAL SCREW,X6
	121J	LY30018-079A	SPECIAL SCREW
	121K	LY30029-042A	SPACER(A)
	121L	LY31614-001A	COVER (BOTTOM)
	122	LY42184-001A	PLATE(MIC)
	123	LY31617-001A	DC LIGHT ASSY
	123A	YQ44266	LAMP
	124	LY30861-012A	MICROPHONE
	125	LY42390-001A	SHEET(MIC)1
	126	QYSLSF2055D	SPECIAL SCREW
	127	LY20552-006A	TOP COVER(3),505UM
		LY20552-010A	TOP COVER(3),805UM
	128	LY40698-002A	LABEL(HOUSING)

#	△ REF No.	PART No.	PART NAME, DESCRIPTION
	129	LY40699-002A	LABEL(PUSH)
	130	LY30018-079A	SPECIAL SCREW,X2
	131	LY30018-079A	SPECIAL SCREW
	132	LY30018-050A	SPECIAL SCREW,X2
	133	LY30018-079A	SPECIAL SCREW
	134	LY30018-079A	SPECIAL SCREW,X2
	135	LY30018-079A	SPECIAL SCREW
	136	LY30018-084A	SPECIAL SCREW
	137	LY30018-023A	SPECIAL SCREW,X2
	138	LY30018-084A	SPECIAL SCREW,X2
	139	QYSPSPT1725R	SCREW
	140	LY30018-066A	SPECIAL SCREW
	141	QYSPSGT1760R	SCREW
	142	LY30018-079A	SPECIAL SCREW
	143	LY30018-084A	SPECIAL SCREW
	144	LY30018-044A	SPECIAL SCREW
	145	LY30018-059A	SPECIAL SCREW
	146	LY30018-052A	SPECIAL SCREW,X2
	147	LY30018-037A	SPECIAL SCREW
	149	LY42168-002A	KNOB(SLIDE)
	150	LY31618-001C	HOLDER(MECHA)ASSY
	150A	LY42178-001A	BKT(MECHA),X2
	150B	LY30018-0B4A	SPECIAL SCREW,X4
	151	LY42179-001B	BKT(OP)ASSY
	151A	LY41675-001A	RUBBER,X2
	152	LY31612-001A	ARM ASSY
	153	LY30018-084A	SPECIAL SCREW,X4
	154	LY30018-066A	SPECIAL SCREW,X4
	155	LY40709-001C	BRACKET(GRD)
	156	YQ43893-3	MINI SCREW
	157	YQ43893-3	MINI SCREW
	158	LY30018-023A	SPECIAL SCREW
	159	LY30019-021A	SPECIAL SCREW,X2
	160	LY30018-023A	SPECIAL SCREW,X2
	161	LY30018-023A	SPECIAL SCREW,X2
	162	YQ43893-4	MINI SCREW
	163	LY30018-024A	SPECIAL SCREW,X2
	164	WJT0028-001A	FFC WIRE,MAIN CN113-JUNC CN571
	165	WJT0029-003A	FFC WIRE,MAIN CN101-MONI CN7601
	166	LY31657-001A	SHIELD CASE(2)
	167	LY30018-050A	SPECIAL SCREW,X2
	168	LY30029-057A	SPACER(A)
	169	QQR0717-001	FERRITE CORE
	170	LY30029-058A	SPACER(A)
	212	LY30483-001Q	CASSETTE HOUSING ASSY
	213	YQ43893-4	MINI SCREW,X3
	214	LY42583-001A	SHEET
- OPTICAL BLOCK SECTION -			
	251	YS20973F	OPTICAL BLOCK ASSY
	251A	LY30723-001B	ZOOM MOTOR
	251B	LY30724-001B	FOCUS MOTOR
	251C	LY30727-002A	SCREW,X5
	251E	LY30727-001A	SCREW,X2
	251F	LY41718-001A	OPTICAL LPF
	251G	LY31639-001A	SPACER RUBBER
	251H	QYSPSGU1750Z	SCREW,X2
	251J	LY31726-001A	IRIS MOTOR
	251K	YS40168E	CCD BASE ASSY

5.3 ELECTRICAL PARTS LIST

#	△ REF No.	PART No.	PART NAME, DESCRIPTION

MONITOR BOARD ASSEMBLY<02>			
PW1		YB10280F1-02	MONITOR BOARD ASSY,505UM
		YB10280G1-01	MONITOR BOARD ASSY,805UM
IC7101		XCVVQ110CFB	IC,505UM
IC7601		AN2533FH	IC
IC7603		AT25040N-10SC-X	IC
IC7604		BU4053BCFV	IC,805UM
IC7605		TC4W53FU	IC,805UM
IC7606		TC7S04FU	IC,805UM
IC7607		TC7S08FU	IC(DIGITAL),805UM
Q7602		DTC144EE	TRANSISTOR,805UM
Q7603		DTA144EE	TRANSISTOR,805UM
Q7604		DTA114YE	TRANSISTOR,805UM
Q7605		DTA114YE	TRANSISTOR,805UM
Q7606		DTA114YE	TRANSISTOR,805UM
Q7607		2SC4617/QR/-X	TRANSISTOR
Q7608		2SA1774/QR/-X	TRANSISTOR
Q7609		2SC4617/QR/-X	TRANSISTOR
Q7610		2SA1774/QR/-X	TRANSISTOR
Q7615		DTA144EE	TRANSISTOR
Q7616		DTC144EE	TRANSISTOR,805UM
Q7617		DTA114EE	TRANSISTOR,805UM
Q7618		DTC144EE	TRANSISTOR,805UM
Q7619		UMZ1N	PAIR TRANSISTOR,805UM
D7101		MA111	DIODE,505UM
D7601		RB471E	SB DIODE
D7603		MA111	DIODE,805UM
R2		NRSA63J-103X	MG RESISTOR 10kΩ,1/16W
R4		NRSA63J-152X	MG RESISTOR 1.5kΩ,1/16W
R5		NRSA63J-182X	MG RESISTOR 1.8kΩ,1/16W
R6		NRSA63J-272X	MG RESISTOR 2.7kΩ,1/16W
R7		NRSA63J-392X	MG RESISTOR 3.9kΩ,1/16W
R7103		NRSA02J-0R0X	MG RESISTOR,505UM 0Ω,1/10W
R7104		NRSA63J-0R0X	MG RESISTOR,505UM 0Ω,1/16W
R7107		NRSA63J-271X	MG RESISTOR,505UM 270Ω,1/16W
R7108		NRSA63J-182X	MG RESISTOR,505UM 1.8kΩ,1/16W
R7109		NRVA63D-393X	CMF RESISTOR,505UM 39kΩ,1/16W
R7110		NRVA63D-393X	CMF RESISTOR,505UM 39kΩ,1/16W
R7114		NRSA63J-153X	MG RESISTOR,505UM 15kΩ,1/16W
R7115		NRSA63J-153X	MG RESISTOR,505UM 15kΩ,1/16W
R7118		NRSA63J-153X	MG RESISTOR,505UM 15kΩ,1/16W
R7119		NRSA63J-333X	MG RESISTOR,505UM 33kΩ,1/16W
R7604		NRSA63J-563X	MG RESISTOR 56kΩ,1/16W
R7610		NRSA63J-563X	MG RESISTOR 56kΩ,1/16W
R7611		NRSA63J-153X	MG RESISTOR 15kΩ,1/16W
R7612		NRSA63J-103X	MG RESISTOR 10kΩ,1/16W
R7613		NRSA63J-104X	MG RESISTOR 100kΩ,1/16W
R7616		NRSA63J-101X	MG RESISTOR 100Ω,1/16W
R7631		NRSA63J-103X	MG RESISTOR 10kΩ,1/16W
R7632		NRSA63J-101X	MG RESISTOR,505UM 100Ω,1/16W
R7633		NRSA63J-101X	MG RESISTOR,505UM 100Ω,1/16W
R7634		NRSA63J-101X	MG RESISTOR,505UM 100Ω,1/16W
R7635		NRSA63J-220X	MG RESISTOR,805UM 22Ω,1/16W
R7636		NRSA63J-220X	MG RESISTOR,805UM 22Ω,1/16W
R7637		NRVA63D-123X	CMF RESISTOR,805UM 12kΩ,1/16W
R7638		NRVA63D-123X	CMF RESISTOR,805UM 12kΩ,1/16W
R7639		NRVA63D-123X	CMF RESISTOR,805UM 12kΩ,1/16W
R7640		NRVA63D-123X	CMF RESISTOR,805UM 12kΩ,1/16W
R7641		NRVA63D-123X	CMF RESISTOR,805UM 12kΩ,1/16W
R7642		NRVA63D-123X	CMF RESISTOR,805UM 12kΩ,1/16W

#	△ REF No.	PART No.	PART NAME, DESCRIPTION
R7643		NRSA63J-220X	MG RESISTOR,805UM 22Ω,1/16W
R7645		NRSA63J-473X	MG RESISTOR,805UM 47kΩ,1/16W
R7646		NRSA63J-103X	MG RESISTOR,805UM 10kΩ,1/16W
R7649		NRVA63D-222X	CMF RESISTOR 2.2kΩ,1/16W
R7650		NRVA63D-222X	CMF RESISTOR 2.2kΩ,1/16W
R7651		NRVA63D-222X	CMF RESISTOR 2.2kΩ,1/16W
R7652		NRVA63D-222X	CMF RESISTOR 2.2kΩ,1/16W
R7653		NRVA63D-222X	CMF RESISTOR 2.2kΩ,1/16W
R7654		NRVA63D-222X	CMF RESISTOR 2.2kΩ,1/16W
R7657		NRSA63J-154X	MG RESISTOR 150kΩ,1/16W
R7659		NRSA63J-335X	MG RESISTOR 3.3MΩ,1/16W
R7660		NRSA63J-223X	MG RESISTOR 22kΩ,1/16W
R7661		NRSA02J-222X	MG RESISTOR 2.2kΩ,1/10W
R7663		NRSA63J-101X	MG RESISTOR 100Ω,1/16W
R7664		NRSA63J-682X	MG RESISTOR 6.8kΩ,1/16W
R7665		NRSA63J-223X	MG RESISTOR 22kΩ,1/16W
R7666		NRSA63J-223X	MG RESISTOR 22kΩ,1/16W
R7667		NRSA63J-333X	MG RESISTOR 33kΩ,1/16W
R7668		NRSA02J-392X	MG RESISTOR 3.9kΩ,1/10W
R7670		NRSA02J-681X	MG RESISTOR 680Ω,1/10W
R7672		NRSA63J-0R0X	MG RESISTOR,505UM 0Ω,1/16W
R7673		NRSA63J-223X	MG RESISTOR,805UM 22kΩ,1/16W
R7674		NRSA63J-333X	MG RESISTOR 33kΩ,1/16W
R7677		NRSA63J-223X	MG RESISTOR 22kΩ,1/16W
R7678		NRSA63J-223X	MG RESISTOR 22kΩ,1/16W
R7679		NRSA63J-822X	MG RESISTOR,805UM 8.2kΩ,1/16W
R7681		NRSA63J-0R0X	MG RESISTOR,505UM 0Ω,1/16W
		NRSA63J-331X	MG RESISTOR,805UM 330Ω,1/16W
R7685		NRSA63J-392X	MG RESISTOR,805UM 3.9kΩ,1/16W
R7687		NRSA63J-183X	MG RESISTOR,805UM 18kΩ,1/16W
R7688		NRSA63J-334X	MG RESISTOR,805UM 330kΩ,1/16W
R7689		NRSA63J-224X	MG RESISTOR,805UM 220kΩ,1/16W
R7690		NRSA63J-393X	MG RESISTOR,805UM 39kΩ,1/16W
VR7102		NVP0016-223X	TRIM RESISTOR,BLACK LEVEL,505UM
VR7103		NVP0016-223X	TRIM RESISTOR,GAMMA,505UM
C1		NCB31EK-103X	CAPACITOR 0.01μF,25V
C7102		NDC31HJ-181X	CAPACITOR,505UM 180pF,50V
C7103		NCF31CZ-104X	CAPACITOR,505UM 0.1μF,16V
C7104		NCF31CZ-104X	CAPACITOR,505UM 0.1μF,16V
C7105		NBE20JM-475X	T CAPACITOR,505UM 4.7μF,6.3V
C7106		NCB21HK-122X	CAPACITOR,505UM 0.0012μF,50V
C7107		NCB31EK-103X	CAPACITOR,505UM 0.01μF,25V
C7108		NCF21CZ-105X	CAPACITOR,505UM 1μF,16V
C7109		NCF31CZ-104X	CAPACITOR,505UM 0.1μF,16V
C7110		NCF31CZ-104X	CAPACITOR,505UM 0.1μF,16V
C7111		NCF31CZ-104X	CAPACITOR,505UM 0.1μF,16V
C7112		NCF31CZ-104X	CAPACITOR,505UM 0.1μF,16V
C7113		NCB31HK-102X	CAPACITOR,505UM 0.001μF,50V
C7114		NCB31EK-103X	CAPACITOR,505UM 0.01μF,25V
C7115		NCB31CK-104X	CAPACITOR,505UM 0.1μF,16V
C7116		NCB31EK-103X	CAPACITOR,505UM 0.01μF,25V
C7117		NCB31EK-103X	CAPACITOR,505UM 0.01μF,25V
C7119		NCF31CZ-104X	CAPACITOR,505UM 0.1μF,16V
C7120		NBE20JM-106X	T CAPACITOR,505UM 10μF,6.3V
C7121		NCF31CZ-104X	CAPACITOR,505UM 0.1μF,16V
C7122		NCF31CZ-104X	CAPACITOR,505UM 0.1μF,16V
C7123		NBE20JM-106X	T CAPACITOR,505UM 10μF,6.3V
C7601		NCB31CK-104X	CAPACITOR 0.1μF,16V
C7602		NBE40JM-476X	T CAPACITOR 47μF,6.3V
C7603		NBE20JM-106X	T CAPACITOR 10μF,6.3V
C7604		NCB31CK-104X	CAPACITOR 0.1μF,16V
C7605		NCB31CK-104X	CAPACITOR 0.1μF,16V
C7606		NCB11CK-225X	CAPACITOR 2.2μF,16V

# ▲ REF No.	PART No.	PART NAME, DESCRIPTION	
C7607	NCF31CZ-104X	CAPACITOR	0.1μF,16V
C7608	NCB11CK-225X	CAPACITOR	2.2μF,16V
C7609	NCB11CK-225X	CAPACITOR	2.2μF,16V
C7610	NBP41CM-226X	T CAPACITOR	22μF,16V
C7614	NCF31CZ-104X	CAPACITOR	0.1μF,16V
C7615	NBE20JM-106X	T CAPACITOR	10μF,6.3V
C7618	NCB31HK-822X	CAPACITOR	0.0082μF,50V
C7619	NBE20JM-225X	T CAPACITOR	2.2μF,6.3V
C7620	NBE20JM-106X	T CAPACITOR	10μF,6.3V
C7621	NDC31HJ-151X	CAPACITOR	150pF,50V
C7623	NDC31HJ-471X	CAPACITOR	470pF,50V
C7625	NCB21AK-105X	CAPACITOR	1μF,10V
C7627	NCB31CK-104X	CAPACITOR	0.1μF,16V
C7628	NCB11CK-225X	CAPACITOR	2.2μF,16V
C7629	NBE20JM-106X	T CAPACITOR	10μF,6.3V
C7630	NCB31CK-104X	CAPACITOR	0.1μF,16V
C7631	NCF31AZ-105X	CAPACITOR	1μF,10V
C7632	NCF31AZ-105X	CAPACITOR	1μF,10V
C7636	NCB31HK-102X	CAPACITOR	0.001μF,50V
C7637	NCB31HK-102X	CAPACITOR	0.001μF,50V
C7638	NCF31CZ-104X	CAPACITOR	0.1μF,16V
C7639	NCF31CZ-104X	CAPACITOR,805UM	0.1μF,16V
C7640	NBE21AM-106X	T CAPACITOR	10μF,10V
C7641	NBE21AM-106X	T CAPACITOR	10μF,10V
C7642	NBE21AM-106X	T CAPACITOR	10μF,10V
C7646	NBE21AM-335X	T CAPACITOR	3.3μF,10V
C7647	NBP21DM-335X	T CAPACITOR	3.3μF,20V
C7648	NCF31CZ-104X	CAPACITOR,805UM	0.1μF,16V
C7649	NCF31CZ-104X	CAPACITOR,805UM	0.1μF,16V
C7650	NBP41EM-475X	T CAPACITOR	4.7μF,25V
C7654	NBP41EM-475X	T CAPACITOR	4.7μF,25V
C7655	NCB31CK-104X	CAPACITOR	0.1μF,16V
C7656	NCF31AZ-105X	CAPACITOR	1μF,10V
C7660	NCB31EK-103X	CAPACITOR,805UM	0.01μF,25V
C7661	NCB31EK-103X	CAPACITOR,805UM	0.01μF,25V
C7665	NCB21CK-105X	CAPACITOR,805UM	1μF,16V
C7666	NBE21AM-106X	T CAPACITOR,805UM	10μF,10V
C7667	NDC31HJ-180X	CAPACITOR	18pF,50V
L7101	NQL315K-100X	COIL,505UM	10μH
L7102	NQL315K-100X	COIL,505UM	10μH
L7103	NQL315K-100X	COIL,505UM	10μH
L7603	NQL314K-220X	COIL	22μH
L7604	NQL315K-100X	COIL	10μH
L7605	NQL315K-100X	COIL	10μH
L7608	NQL315K-100X	COIL	10μH
L7610	NQL315K-100X	COIL	10μH
SW1	NSW0092-001X	SLIDE SWITCH	
SW2	NSW0008-001X	TACT SWITCH	
SW3	NSW0008-001X	TACT SWITCH	
SW4	NSW0008-001X	TACT SWITCH	
SW5	NSW0008-001X	TACT SWITCH	
SW6	NSW0099-001X	SLIDE SWITCH	
SW7601	NSW0105-001X	DETECT SWITCH	
CN7601	QGF0506F2-32X	FPC CONNECTOR	
CN7602	QGF0503C1-20X	FFC/FPC CONNECTOR,505UM	
CN7603	QGF0503C1-20X	FFC/FPC CONNECTOR,805UM	
CN7604	QGF0305F1-33X	FPC CONNECTOR	
CN7605	QGA1201F2-02X	CONNECTOR	
OT1	LY30029-051A	SPACER(A)	

# ▲ REF No.	PART No.	PART NAME, DESCRIPTION	
-------------	----------	------------------------	--